

(19)  **Europäisches Patentamt**
European Patent Office
Office européen des brevets



(11) **EP 1 234 552 A1**

(12) **EUROPEAN PATENT APPLICATION**

(43) Date of publication:
28.08.2002 Bulletin 2002/35

(51) Int Cl.7: **A61F 2/00**, A61F 2/30,
A61B 17/68, A61B 17/064,
A61B 17/56

(21) Application number: **02251289.1**

(22) Date of filing: **25.02.2002**

(84) Designated Contracting States:
AT BE CH CY DE DK ES FI FR GB GR IE IT LI LU
MC NL PT SE TR
Designated Extension States:
AL LT LV MK RO SI

(72) Inventor: **Overaker, David W.**
Annandale, New Jersey 08801 (US)

(74) Representative: **Mercer, Christopher Paul et al**
Carpmaels & Ransford
43, Bloomsbury Square
London WC1A 2RA (GB)

(30) Priority: **26.02.2001 US 793029**

(71) Applicant: **ETHICON, INC.**
Somerville, NJ 08876 (US)

(54) **Scaffold fixation device for use in articular cartilage repair**

(57) A device for attaching a tissue replacement scaffold to a bone has a platform (12) positionable in substantially parallel relationship to the bone for retaining the tissue scaffold proximate to the bone. A post (14) extends from the platform and is insertable into a hole formed in the bone. One or more ribs (24) extend from a side surface of the post along a portion of its length.

The ribs are mounted on opposing flexible members (18,20) and establish an interference fit relative to the hole in the bone tissue. The ribs are urged radially outwardly by the flexible members and have a sharp edge that grips the sides of the hole in the bone such that the ribs restrict withdrawal of the device. Vertical ribs (160) may also be included to prevent rotation of the device within the hole in the bone.

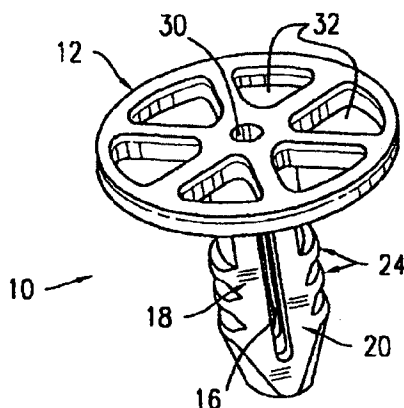


FIG. 2

EP 1 234 552 A1

DescriptionField of the Invention

[0001] The present invention relates to scaffold fixation devices useful in articular cartilage repair and more specifically to a device for fastening an articular cartilage scaffold to underlying bone.

Background of the Invention

[0002] Articular cartilage is a tissue that covers the articulating surfaces between bones in joints, such as the knee or elbow, which is subject to catastrophic or repetitive stress injury. Various means have been proposed to address such injuries including repair via tissue engineering. Tissue engineering is defined as the application of engineering disciplines to either maintain existing tissue structures or to enable new tissue growth. This engineering approach generally includes the delivery of a tissue scaffold that serves as an architectural support onto which cells may attach, proliferate, and synthesize new tissue to repair a wound or defect. Surgical use of a tissue scaffold requires a fixation means to secure the scaffold to the bone beneath the wounded cartilage site. Secure fixation of the scaffold within the wound site is necessary for proper healing.

[0003] Frequently, scaffolds, prostheses and fasteners used in orthopedic applications are made from synthetic absorbable biocompatible polymers which are well known in the art. Such polymers typically are used to manufacture medical devices which are implanted in body tissue and absorb over time. Synthetic, absorbable, biocompatible aliphatic polyesters include homopolymers, copolymers (random, block, segmented and graft) of monomers such as glycolic acid, glycolide, lactic acid, lactide(d, l, meso and mixtures thereof), ε-caprolactone, trimethylene carbonate and p-dioxanone. Numerous U.S. Patents describe these polymers, including 5,431,679; 5,403,347; 5,314,989; 5,431,679; 5,403,347; and 5,502,159. Devices made of an absorbable material have the advantage that they are absorbed by the body after healing has occurred.

[0004] U.S. Patent 5,067,964 describes an articular cartilage repair piece which includes a backing layer of non-woven, felted fibrous material which is either uncoated or covered by a coating of tough, pliable material. A number of means are disclosed for fastening the repair piece to the underlying bone. U.S. Patents 5,306,311 and 5,624,463 describe a prosthetic, resorbable articular cartilage and methods of its fabrication and insertion. U.S. Patent 5,713,374 describes an attachment method to hold a biomaterial in place until healing occurs. U.S. Patents 5,632,745 and 5,749,874 and 5,769,899 describe a bioabsorbable cartilage repair system.

[0005] It is well known that there is wide variability in stiffness, strength, and other physical properties of hu-

man bone, and that the properties vary from site to site among humans. It is therefore challenging to design mechanical fasteners for fixing a prosthetic scaffold to bone because the mechanical function of the device must be able to accommodate a range of bone physical properties.

[0006] Accordingly, it would be advantageous to provide a scaffold fixation device which has a fixation means that can perform in a variety of human bone.

Summary of the Invention

[0007] The limitations of prior art devices for attaching a tissue scaffold to bone tissue, are overcome by the present invention which includes an attachment device having a platform positionable in substantially parallel relationship to the bone tissue for retaining the tissue scaffold proximate to the bone tissue. A post extends from the platform and is insertable into a hole formed in the bone tissue. At least one rib extends from a surface of the post generally perpendicular to the axis of the post, the rib positioned intermediate the platform and a distal end of the post and establishing an interference fit relative to the hole in the bone tissue to prevent withdrawal of the device from a hole in the bone tissue into which it has been inserted.

Brief Description of the Figures

[0008]

Figure 1 is a side elevation view of a scaffold fixation device in accordance with an exemplary embodiment of the present invention;

Figure 2 is a perspective view of the device of Figure 1;

Figure 3 is a front elevation view of the device of Figure 1;

Figure 4 is a partially cross-sectional view of the device of Figure 1 deployed in bone;

Figure 5 is a side elevation view of a second exemplary embodiment of the present invention;

Figure 6 is a partially cross-sectional view of the device of Figure 5 deployed in bone.

Detailed Description of the invention

[0009] Figures 1, 2 and 3 show a scaffold fixation device 10 for fastening an articular cartilage scaffold to underlying bone. The device 10 has a scaffold attachment platform 12 with a post 14 extending therefrom. The post 14 has a central slot 16 defining a pair of flexible members, 18, 20 which are conjoined at one end proximate the platform 12 and at the other end proximate a tapered tip 22. One or more ribs 24 extend radially from the peripheral surface of the flexible members 18, 20. Each rib 24 terminates in a sharp ledge or tip 25. The flexibility of members 18, 20 can be selected by controlling the

cross-sectional area thereof and the length of slot 16. Slot 16 allows flexible members 18, 20 to deflect inwardly under radial compressive loading. A significant increase in radial stiffness of flexible members 18, 20 occurs when they are deflected inwardly to a degree such that mating surfaces 26, 28 come in contact, at which point further deflection of flexible members 18, 20 is limited. In the preferred embodiment, the geometry of slot 16 and flexible members 18, 20 is such that the outermost diameter of opposing ribs 24 is larger than the diameter of the post 14 proximate to the platform 12 when mating surfaces 26, 28 are initially in contact.

[0010] Scaffold fixation device 10 has a centrally disposed guide wire channel 30 which extends longitudinally through fixation device 10 along the axis of post 14. Perforations 28 in the platform 12 allow fluid and cells to travel to and from the scaffold and are not limited to the shape or arrangement shown in the figures. Platform 12 may also be solid.

[0011] The cross-sectional area of flexible members 18, 20 can be controlled by selecting the width of the slot 16, as well as by the incorporation of flats 34, 36 on one or more opposing sides of flexible members 18, 20. The flats 34, 36 reduce the cross-sectional area of flexible members 18, 20 and increase their flexibility. In addition, the flats 34, 36 act as reliefs to allow the flexible members 18, 20 to flex inwardly while conforming to the confines of a hole 40 drilled in bone tissue 42 (See Figure 4). More specifically, when a generally cylindrical object is compressed along one diameter, it expands along a diameter at 90° relative thereto. A cross-section of the compressed cylindrical object would therefore be elliptical. The flats 34, 36 truncate the ellipse (at the ends of the major axis) formed when the flexible members 18, 20 are compressed, allowing the flexible members 18, 20 to compress without the flats 34, 36 bearing against the bone tissue 42 proximate the hole 40. (See Figure 4)

[0012] Figure 4 shows the surgical placement of the scaffold fixation device 10 in a hole 40 drilled in bone tissue 42. The hole 40 has a diameter establishing an interference fit between the bone tissue 42 surrounding hole 40 and the post 14, most significantly, relative to the ribs 24. Hole 40 preferably has a diameter which is less than the outermost diameter of opposing ribs 24, i.e., the tip 25-to-tip 25 distance, as would be measured by outside calipers. When the hole 40 has a diameter which is less than or equal to the diameter of post 14, mating surfaces 26, 28 of flexible members 18, 20 will come into contact during the insertion of fixation device 10 into the hole 40 causing close engagement with bone tissue 42 proximate the hole 40 through the radial deflection and radial material strain of flexible members 18, 20. When hole 40 has a diameter which is larger than the diameter of post 14 but less than the outermost diameter of ribs 24, the device 10 engages with bone tissue 42 through radial force exerted in reaction to the inward deflection of flexible members 18, 20, i.e., due to elastic memory. Flexible members 18, 20 allow the

device 10 to accommodate variations in hole 40 diameter and material properties of the bone tissue 42. In very hard bone, slot 16 allows flexible members 18, 20 to deflect inwardly to conform to the hole 40 without material yield or damage occurring to post 14 or flexible members 18, 20. To install the device, 10 a hole 44 is drilled in the cartilage tissue 46 with a diameter at least as large as the outermost diameter of platform 12. The depths of hole 40 in the bone tissue 42 and the hole 44 in the cartilage 46 are selected such that, when post 14 is inserted completely into hole 40 in the bone 42, upper surface 50 of platform 12 is in alignment with or slightly below upper bone surface 52. The scaffold 53 (shown diagrammatically in dotted lines) resides within the space available within hole 44 between platform 12 and upper cartilage surface 54. Tapered tip 22 aids in introducing post 14 into hole 40. The taper 22 is reproduced in part on each rib 24 distal to the tip 25 to aid in introducing each rib 24 into the hole 40. As noted above, a surgical guide wire (not shown) may be passed through guide wire channel 30 during surgery to align scaffold fixation device 10 with the hole 40 in the bone tissue 42. After the guide wire has been used to align the tapered tip 22 with the hole 40, it is removed prior to full insertion of the post 14 to allow flexible members 18, 20 to deflect inwardly without contacting the guide wire.

[0013] Figure 5 and 6 show a device 110 in accordance with an alternative embodiment of the present invention, in which post 114 has one or more vertical ribs 160 extending radially from the outer surface thereof. The vertical ribs 160 have a tapered profile similar to the taper on the tapered tip 122. When device 110 is deployed in bone tissue 142, as shown in Figure 6, the ribs 160 cut into the bone tissue 142 surrounding hole 140 to prevent rotation of device 110 within the hole 140. Those skilled in the art will appreciate that a variety of shapes and sizes of protrusions from post 114 which make a noncircular shape will engage bone tissue 142 proximate hole 140 to prevent relative rotation of device 110 within the hole 140.

[0014] Fixation device 10, 110 may be formed from a non-porous or a partially or wholly porous material to allow cell invasion into the device 10, 110. Suitable materials from which the scaffold fixation device 10, 110 may be formed include biocompatible polymers, such as aliphatic polyesters, polyorthoesters, polyanhydrides, polycarbonates, polyurethanes, polyamides and polyalkylene oxides. The present invention also can be formed from absorbable glasses, ceramics including calcium phosphates and other biocompatible metal oxides (i.e., CaO), combinations of metals, absorbable polymers or autograft, allograft, or xenograft bone tissues.

[0015] In the preferred embodiment, the scaffold fixation device 10, 110 is formed from aliphatic polymer and copolymer polyesters and blends thereof. The aliphatic polyesters are typically synthesized in a ring opening polymerization. Suitable monomers include but

are not limited to lactic acid, lactide (including L-, D-, meso and D,L mixtures), glycolic acid, glycolide, ϵ -caprolactone, p-dioxanone (1,4-dioxan-2-one), trimethylene carbonate (1,3-dioxan-2-one), delta-valerolactone, beta-butyrolactone, epsilon-decalactone, 2,5-diketomorpholine, pivalolactone, alpha, alpha-diethylpropiolactone, ethylene carbonate, ethylene oxalate, 3-methyl-1,4-dioxane-2,5-dione, 3,3-diethyl-1,4-dioxan-2,5-dione, gamma-butyrolactone, 1,4-dioxepan-2-one, 1,5-dioxepan-2-one, 6,6-dimethyldioxepan-2-one, 6,8-dioxabicyclooctane-7-one and combinations thereof. These monomers generally are polymerized in the presence of an organometallic catalyst and an initiator at elevated temperatures. The organometallic catalyst is preferably tin based, e.g., stannous octoate, and is present in the monomer mixture at a molar ratio of monomer to catalyst ranging from about 10,000/1 to about 100,000/1. The initiator is typically an alkanol (including diols and polyols), a glycol, a hydroxyacid, or an amine, and is present in the monomer mixture at a molar ratio of monomer to initiator ranging from about 100/1 to about 5000/1. The polymerization typically is carried out at a temperature range from about 80°C to about 240°C, preferably from about 100°C to about 220°C, until the desired molecular weight and viscosity are achieved.

[0016] in another embodiment of the present invention, the polymers and blends can be used as a therapeutic agent release matrix. To form this matrix, the polymer would be mixed with a therapeutic agent prior to forming the device. The variety of different therapeutic agents that can be used in conjunction with the polymers of the present invention is vast. In general, therapeutic agents which may be administered via the pharmaceutical compositions of the invention include, without limitation: anti-infectives such as antibiotics and antiviral agents; chemotherapeutic agents (i.e. anticancer agents); anti-rejection agents; analgesics and analgesic combinations; anti-inflammatory agents; hormones such as steroids; growth factors, including bone morphogenic proteins (i.e. BMP's 1-7), bone morphogenic-like proteins (i.e. GFD-5, GFD-7 and GFD-8), epidermal growth factor (EGF), fibroblast growth factor (i.e. FGF 1-9), platelet derived growth factor (PDGF), insulin like growth factor (IGF-I and IGF-II), transforming growth factors (i.e. TGF- β I-III), vascular endothelial growth factor (VEGF); and other naturally derived or genetically engineered proteins, polysaccharides, glycoproteins, or lipoproteins. These growth factors are known in the art and are described in The Cellular and Molecular Basis of Bone Formation and Repair by Vicki Rosen and R. Scott Thies, published by R.G. Landes Company hereby incorporated herein by reference.

[0017] Matrix materials for the present invention may be formulated by mixing one or more therapeutic agents with the polymer. Alternatively, a therapeutic agent could be coated on to the polymer, preferably with a pharmaceutically acceptable carrier. Any pharmaceuti-

cal carrier can be used that does not dissolve the polymer. The therapeutic agent may be present as a liquid, a finely divided solid, or any other appropriate physical form. Typically, but optionally, the matrix will include one or more additives, such as diluents, carriers, excipients, stabilizers or the like.

[0018] The amount of therapeutic agent will depend on the particular drug being employed and medical condition being treated. Typically, the amount of drug represents about 0.001 percent to about 70 percent, more typically about 0.001 percent to about 50 percent, most typically about 0.001 percent to about 20 percent by weight of the matrix. The quantity and type of polymer incorporated into the drug delivery matrix will vary depending on the release profile desired and the amount of drug employed.

[0019] Upon contact with body fluids, the polymer undergoes gradual degradation (mainly through hydrolysis) with concomitant release of the dispersed drug for a sustained or extended period. This can result in prolonged delivery (over, say 1 to 5,000 hours, preferably 2 to 800 hours) of effective amounts (say, 0.0001 mg/kg/hour to 10 mg/kg/hour) of the drug. This dosage form can be administered as is necessary depending on the subject being treated, the severity of the affliction, the judgment of the prescribing physician, and the like. Following this or similar procedures, those skilled in the art will be able to prepare a variety of formulations.

Claims

1. A device for attaching a tissue scaffold to bone tissue, comprising:

a platform positionable in substantially parallel relationship to the bone tissue for retaining the tissue scaffold proximate to the bone tissue;
a post extending from the platform, said post insertable into a hole formed in the bone tissue;
at least one rib extending from a surface of said post generally perpendicular to the axis of said post, said rib positioned intermediate said platform and a distal end of said post and establishing an interference fit relative to the hole in the bone tissue to prevent withdrawal of said device from a hole in the bone tissue into which it has been inserted.

2. The device of Claim 1, wherein said post has a radially displaceable flexible member, said at least one rib being mounted on said flexible member, said flexible member having a radially retracted position and being elastically biased to a radially expanded position, said flexible member urging said rib into engagement with the bone tissue to aid in preventing withdrawal of said device from the hole in the bone tissue.

3. The device of Claim 2, wherein said at least one rib has a sharp terminal edge, said edge positionable within the hole for gripping the bone tissue to resist withdrawal of said device from the hole.
4. The device of Claim 2, wherein said flexible member includes a first radially displaceable flexible member and a second radially displaceable flexible member, each having a radially retracted and a radially expanded position, said first flexible member being spaced from said second flexible member when both are in the expanded position and abutting one another when both are in the retracted position.
5. The device of Claim 4, wherein said at least one rib includes a plurality of ribs disposed along a portion of the length of said post.
6. The device of Claim 5, wherein said post has a chamfered end to aid in the introduction of said post into the hole in the bone tissue.
7. The device of Claim 6, wherein each of said plurality of ribs has a taper distal to said sharp edge to aid in the introduction of said post into the hole in the bone tissue.
8. The device of Claim 4, wherein said post has a longitudinal slot therein passing through said post and defining said flexible members that are disposed on either side of said slot.
9. The device of Claim 8, wherein said post has opposing flats in the area of said flexible members, said flats limiting the contact between a peripheral surface of each of said flexible members angularly offset from said plurality of ribs and the bone tissue proximate hole when said device has been inserted therein.
10. The device of Claim 9, wherein said device has a guide wire hole extending axially there through to permit said device to be slipped over a guide wire having one end thereof positioned in the hole for guiding said device into the hole.
11. The device of Claim 8, wherein said flexible members are integral with said post extending at one end from said post proximate said platform and converging at the other end in a tapered tip.
12. The device of Claim 4, further including at least one vertical rib extending from a surface of said post and extending in length generally parallel to the axis of said post, said at least one vertical rib engaging the bone proximate the hole into which said device is installed to prevent rotation of the device within the hole.
13. The device of Claim 12, wherein said at least one vertical rib tapers radially outwardly as it extends towards said platform.
14. The device of Claim 13, wherein said at least one vertical rib includes a plurality of vertical ribs.
15. The device of Claim 14, wherein said plurality of vertical ribs attach to said platform.
16. The device of Claim 15, wherein said platform has a perforation therein to allow fluid and cell transmission through said perforation.
17. The device of Claim 4, wherein said device is formed from a material selected from the group consisting of biocompatible polymers, absorbable polymers, glasses, ceramics, metal oxides, bone tissue and therapeutic agents, alone or in combination.
18. A device for attaching a tissue scaffold to bone tissue, comprising:
- attaching means for attaching the scaffold to said device;
- retaining means coupled to said attaching means for retaining said attaching means in proximity to the bone tissue, said retaining means inserting into a hole formed in the bone tissue, said retaining means including gripping means extending from the outer periphery thereof for gripping the bone tissue proximate the hole to restrain said device from pulling away from the bone tissue.
19. The device of Claim 18, wherein said gripping means have an interference fit relative to the hole in the bone tissue, said gripping means mounted upon a flexible member and being elastically urged into engagement with bone tissue proximate the hole, said gripping means being fully insertable into the hole in the bone tissue and having a sharp edge which engages the bone tissue proximate the hole.
20. The device of Claim 19, further including anti-rotation means disposed on the outer peripheral surface of said retaining means to prevent said retaining means from rotating in the hole in the bone tissue.

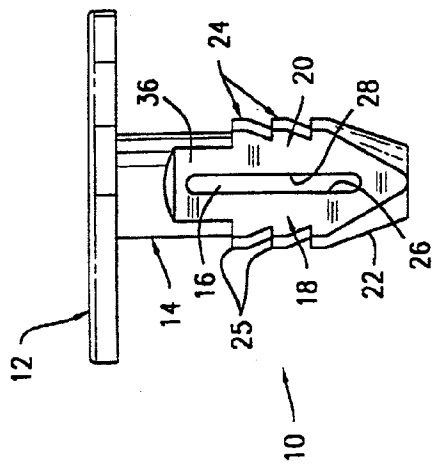


FIG. 1

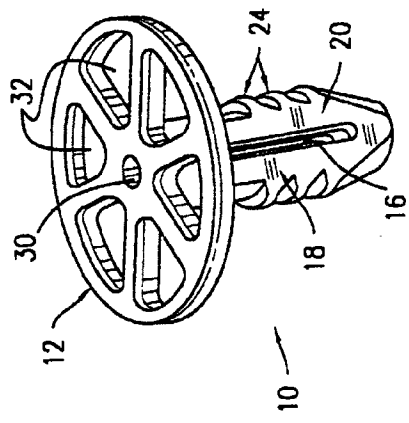


FIG. 2

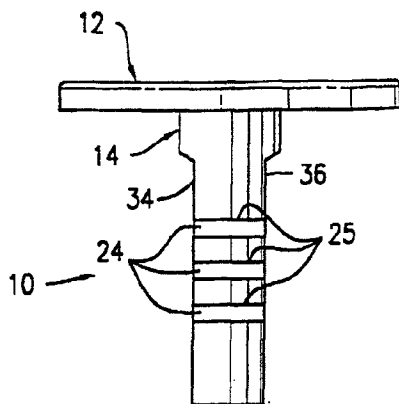


FIG. 3

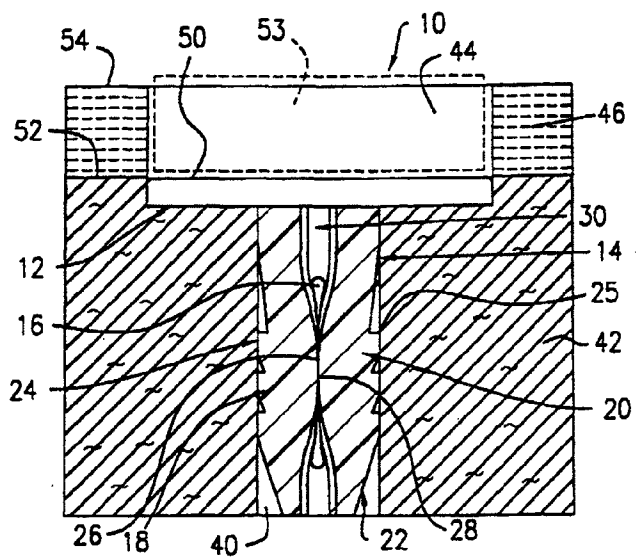


FIG. 4

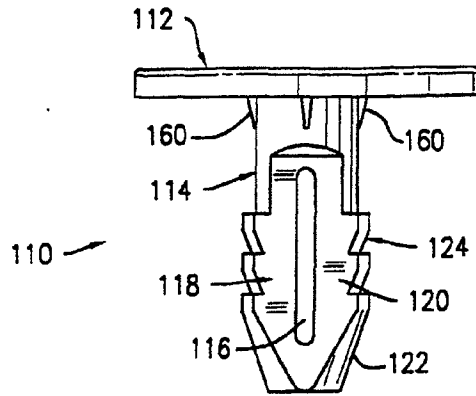


FIG. 5

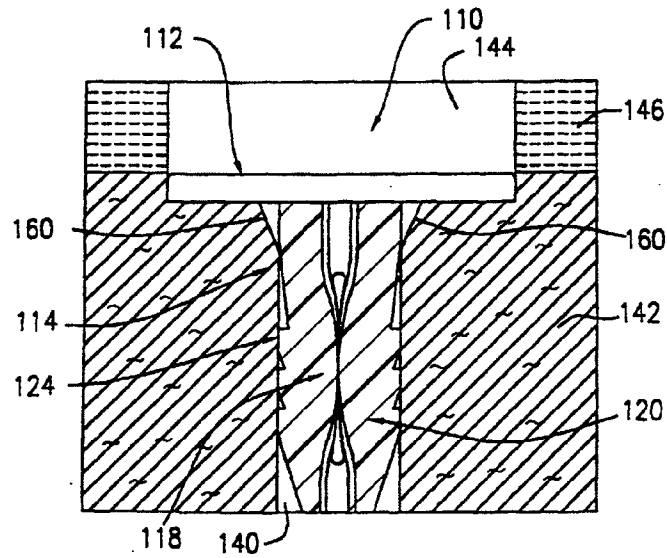


FIG. 6



European Patent Office

EUROPEAN SEARCH REPORT

Application Number
EP 02 25 1289

DOCUMENTS CONSIDERED TO BE RELEVANT		
Category	Citation of document with indication, where appropriate, of relevant passages	Relevant to claim
X	WO 00 74554 A (MATRIX BIOTECHNOLOGIES INC) 14 December 2000 (2000-12-14) * claims 1,27; figures 1-5,28 * ---	1-20
X,D	US 5 632 745 A (SCHWARTZ ROBERT E) 27 May 1997 (1997-05-27) * figure 2 * ---	1
X,P	EP 1 129 675 A (ETHICON INC) 5 September 2001 (2001-09-05) * figure 2 * -----	18
		CLASSIFICATION OF THE APPLICATION (Int.Cl.7)
		A61F2/00 A61F2/30 A61B17/68 A61B17/064 A61B17/56
		TECHNICAL FIELDS SEARCHED (Int.Cl.7)
		A61F A61B
The present search report has been drawn up for all claims		
Piece of search	Date of completion of the search	Examiner
MUNICH	7 June 2002	Newman, B
CATEGORY OF CITED DOCUMENTS		T : theory or principle underlying the invention E : earlier patent document, but published on, or after the filing date D : document cited in the application L : document cited for other reasons & : member of the same patent family, corresponding document
X : particularly relevant if taken alone Y : particularly relevant if combined with another document of the same category A : technological background O : non-written disclosure P : intermediate document		

EPO FORM 1503 03.82 (P/04031)

ANNEX TO THE EUROPEAN SEARCH REPORT
ON EUROPEAN PATENT APPLICATION NO.

EP 02 25 1289

This annex lists the patent family members relating to the patent documents cited in the above-mentioned European search report. The members are as contained in the European Patent Office EDP file on
The European Patent Office is in no way liable for these particulars which are merely given for the purpose of information.

07-06-2002

Patent document cited in search report	Publication date	Patent family member(s)	Publication date
WO 0074554 A	14-12-2000	US 6251143 B1	26-06-2001
		AU 5177200 A	28-12-2000
		WO 0074554 A2	14-12-2000
		US 2001010023 A1	26-07-2001
US 5632745 A	27-05-1997	WO 9725942 A1	24-07-1997
		AU 694838 B2	30-07-1998
		AU 4693396 A	27-08-1996
		AU 4855996 A	11-08-1997
		CA 2212544 A1	15-08-1996
		EP 0808136 A1	26-11-1997
		EP 0814731 A1	07-01-1998
		JP 10504217 T	28-04-1998
		WO 9624302 A1	15-08-1996
		US 5769899 A	23-06-1998
		US 5749874 A	12-05-1998
		AU 697372 B2	01-10-1998
		JP 2000513240 T	10-10-2000
EP 1129675 A	05-09-2001	US 6371958 B1	16-04-2002
		AU 2479201 A	06-09-2001
		EP 1129675 A2	05-09-2001
		JP 2001293003 A	23-10-2001

EPO FORM P0459

For more details about this annex : see Official Journal of the European Patent Office, No. 12/82